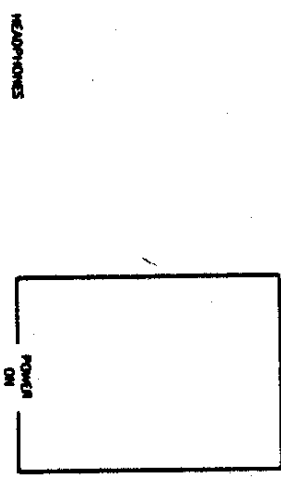
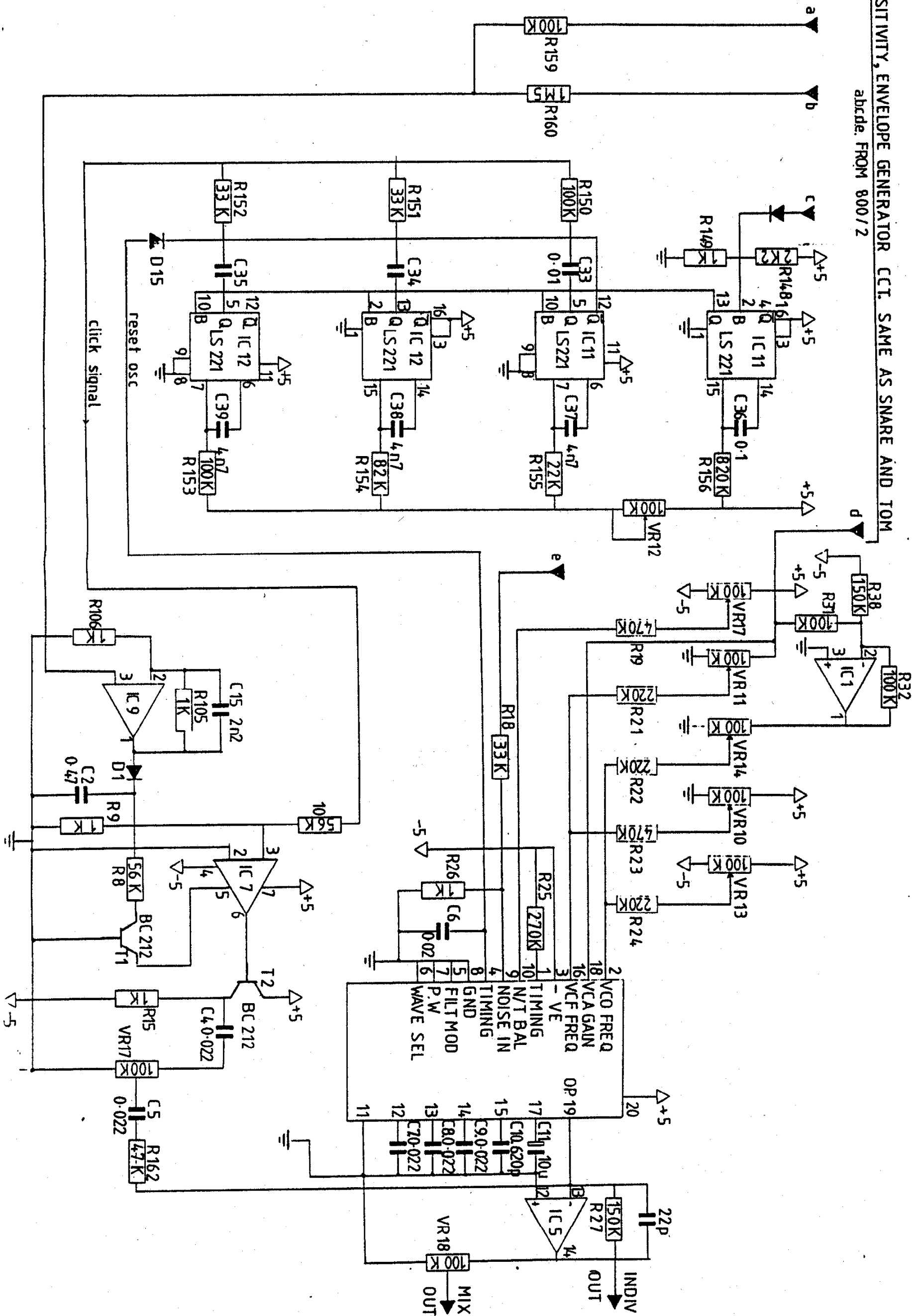


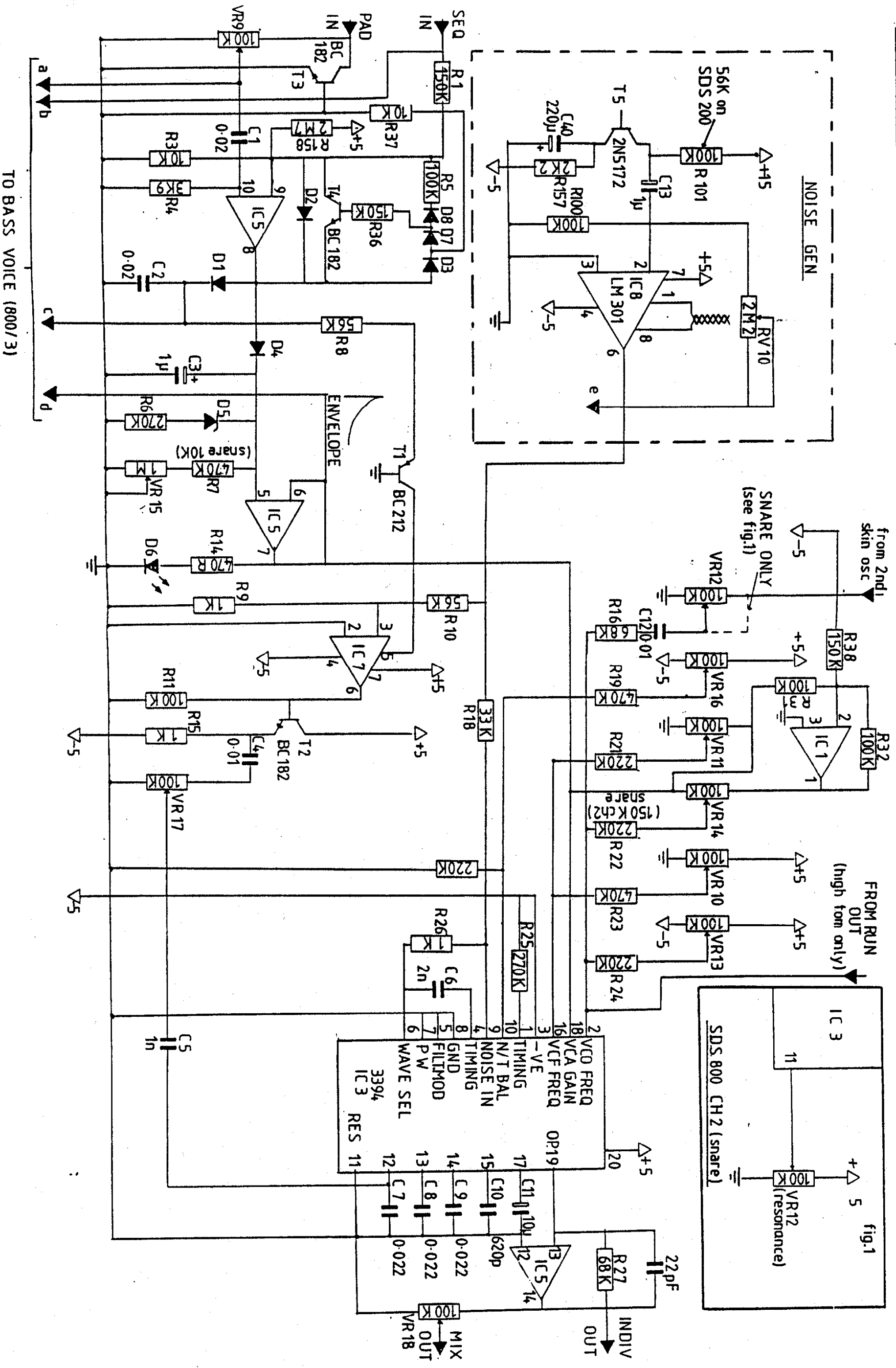
SIMMONS
SDS 400
ELECTRONIC
DRUMS

MADE IN ENGLAND
 SIMMONS ELECTRONICS LTD
 ST ALBANS
 ENGLAND

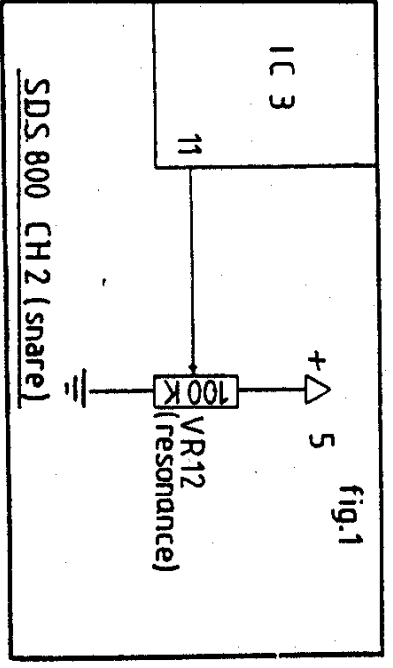


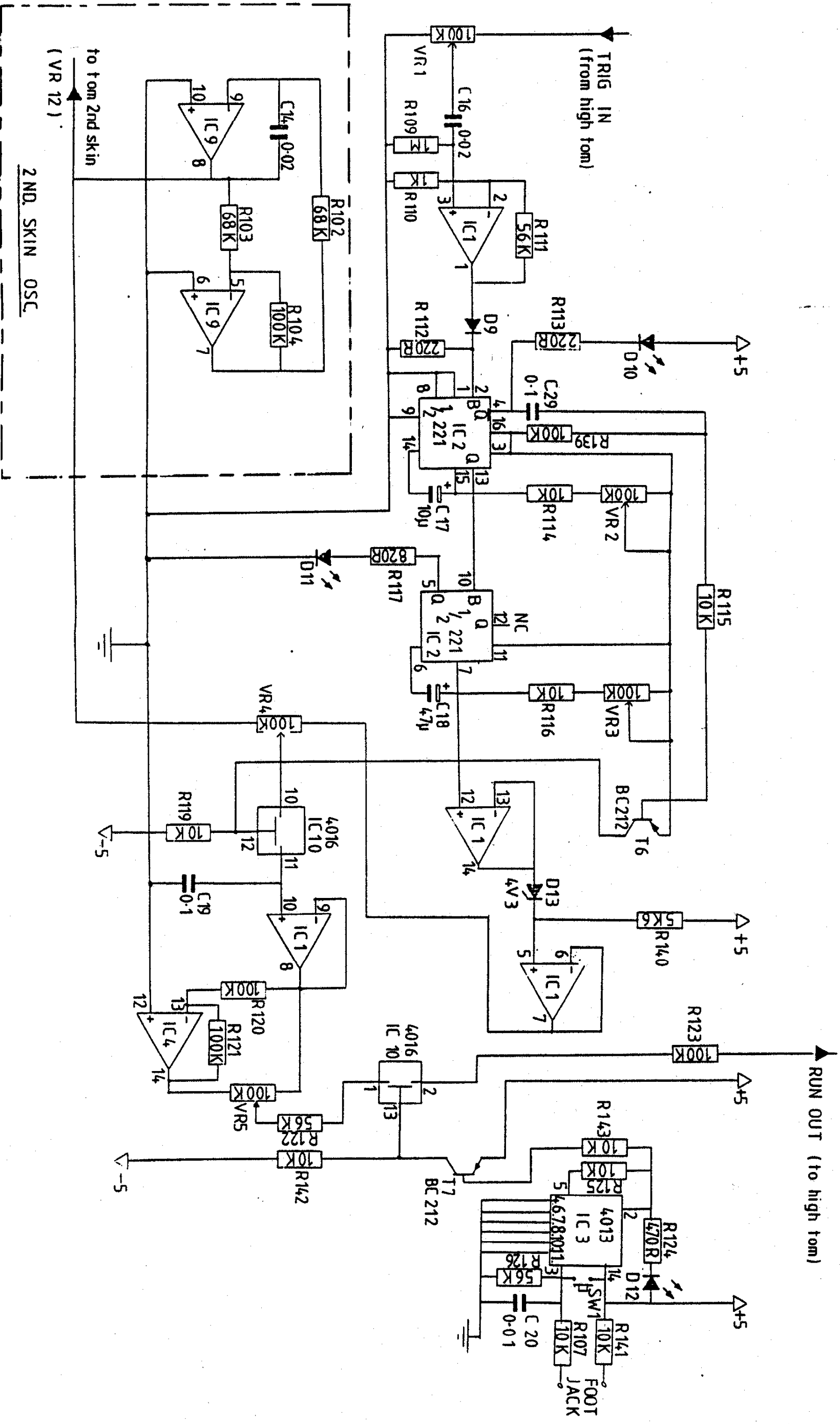
SENSITIVITY, ENVELOPE GENERATOR CCT. SAME AS SNARE AND TOM
 abcde. FROM 800/2





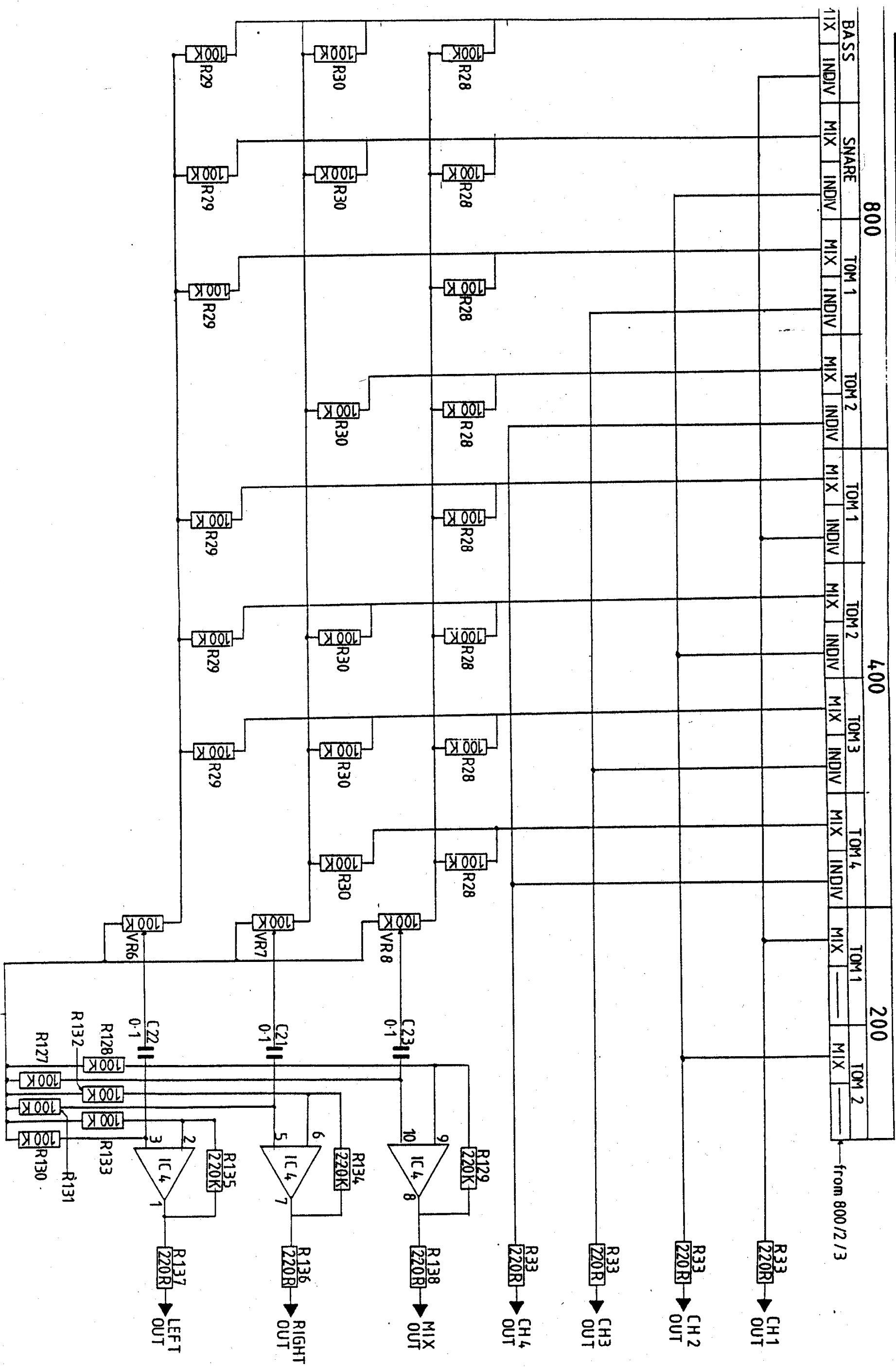
TO BASS VOICE (800/3)

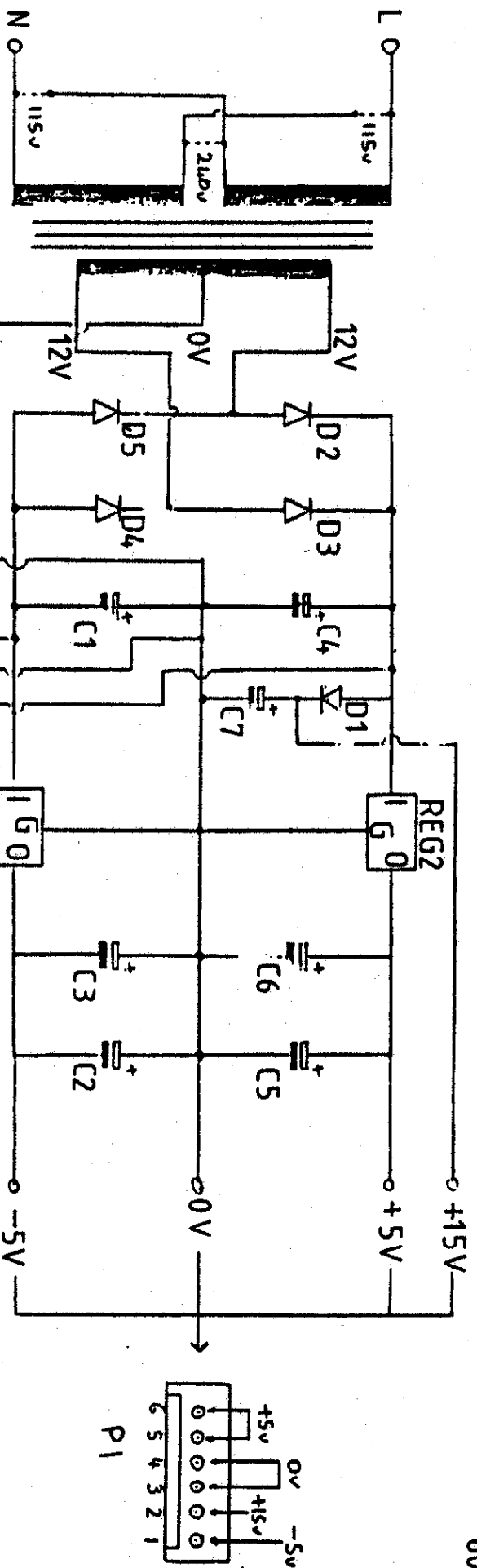




SIMMONS ELECTRONICS LTD, ST ALBANS, HERTS.

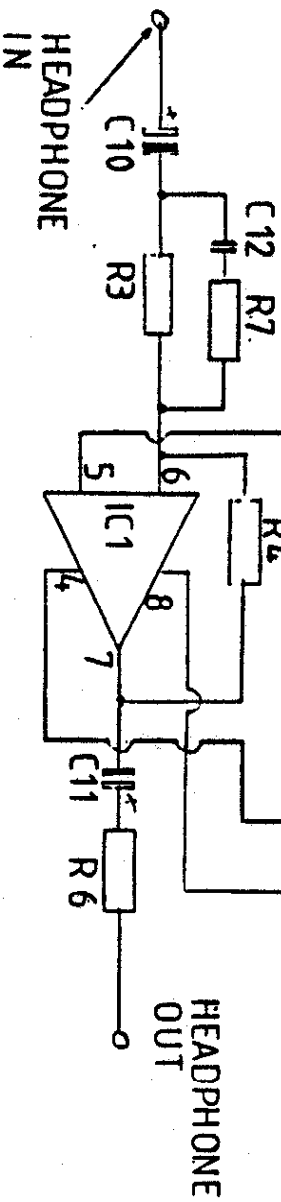
SDS 800/400/200 OUTPUTS



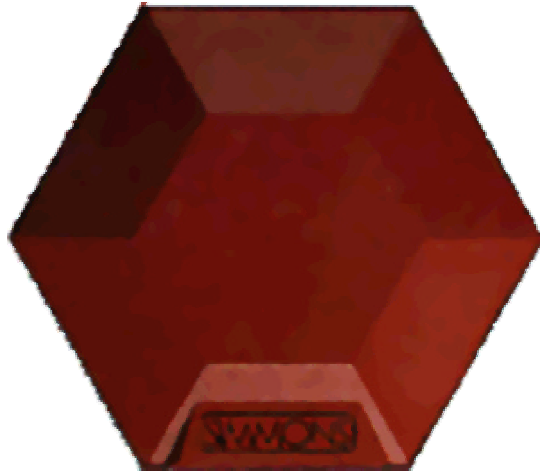


TRANSFORMER FOR 800/400 6VA TYPE
TRANSFORMER FOR 200 3VA TYPE

PARTS	
IC1	LF353 or 1458
REG1	7905
REG2	7805
R1, R2, R6	68Ω
R3	47K
R4	820K
R7	56K
C1, C4	2200μF
C2, C5, C10	10μF 63V Radial
C3, C6	0.1μF
C7, C11	220μF 25V Axial
C8, C9	47μF 16V Radial
C12	2n2
D1, D2, D3, D4, D5	1N4001
D6, D7	12V ZENNER
P1	6-pin SSI Connector



SDS 800 SERIES PSU



This Document Was Downloaded from
www.Simmons.Synth.Net

And was donated by various members of the simmons drum synth mailing list.
If you paid for this, you've been had!